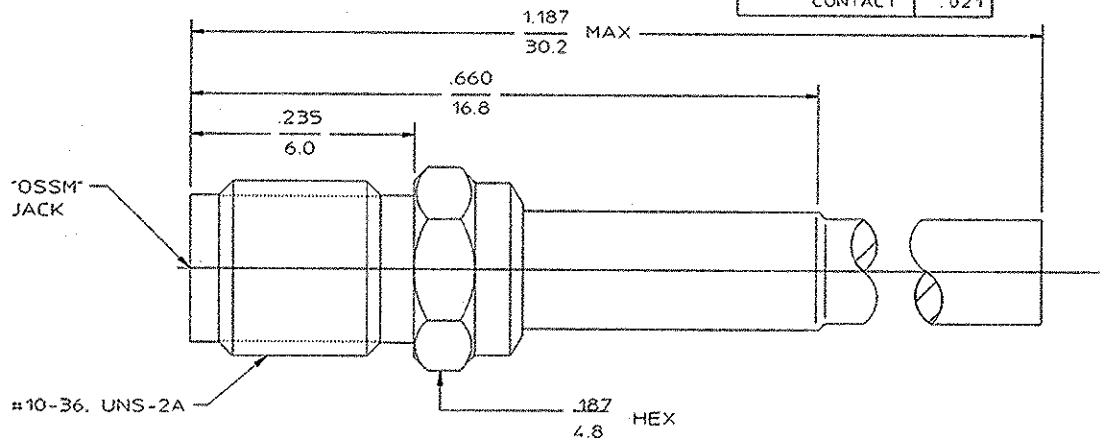



DESIGNED FOR USE WITH	
RG-188/U, RG-179/U	
CABLE ENTRY DIAMETER	MINIMUM
FERRULE	.111
HOUSING	.066
CONTACT	.021

REVISIONS			
REV	DESCRIPTION	DATE	APPROVED
04 ₁	REVISED	K.LE 11-14-96	POV 11/15/96



ELECTRICAL	MECHANICAL	ENVIRONMENTAL	COMPONENT	MATERIAL	FINISH
Nominal Impedance (Ohms) 50 Frequency Range (GHz) DC to 3 Volt Rating (VRMS MAX) @ Sea Level 250 VSWR 1.07 @ .015(GHz) Insertion Loss (dB MAX) .04√f(GHz) RF Leakage (dB MIN) -190-(fGHz) Corona, 70,000 Ft (VRMS MIN) 190 Dielectric Withstanding Voltage (VRMS MIN) @ Sea Level 750 Contact Resistance (Milliohms MAX) Center Contact 4.0 Outer Contact 2.0 Cable to Housing 0.05 RF High Potential @ Sea Level (VRMS MIN @ 5 MHz) 500 IR(Megohms MIN) 5,000	Interface Dimensions MIL-STD-376A, Fig. 319-2 Recommended Mating Torque 7-10 IN-LBS Mating Characteristics: Insertion (MAX Lbs) 3.0 Withdrawal (MIN Oz) 1.0 Force to Engage and Disengage (In-Lbs MAX) 2.0 Center Contact Captivation Axial (Lbs) 4.0 Radial (In-Oz) N/A Cable Retention Axial Force (Lbs) 6.0 Torque (In-Oz) N/A Weight (Grams) TBD	Temperature Rating -65 TO +125°C Vibration MIL-STD-202, Method 204, Condition D Shock MIL-STD-202, Method 213, Condition I Thermal Shock MIL-STD-202, Method 107, Condition B, Except High Temp +85°C Moisture Resistance MIL-STD-202, Method 106 Corrosion - MIL-STD-202, Method 101, Condition B, 5% salt spray .XXX = in XX.X = mm (REF)	HOUSING DIELECTRIC CENTER CONTACT COMPONENT	STAINLESS STEEL PER ASTM-A484 AND ASTM- A582, TYPE 303 TPE FLUOROCARBON PER ASTM-D-1457 BERYLLIUM COPPER PER ASTM-B-196 OR ASTM-B-197, ALLOY C17300, CONDITION H	GOLD PLATE PER MIL-G-45204 N/A GOLD PLATE PER MIL-G-45204 FINISH
UNLESS OTHERWISE SPECIFIED DIMENSIONS ARE IN INCHES FRAC. DEC ANGLES 1/64 1.005 ° °			DRAWN BY LOB CHECKED BY PG APPROVED BY DNANA DATE 3-21-69 3-21-69 3-21-69	 M/A-COM, Inc. Waltham, MA 02254	
These drawings and specifications are the property of M/A-COM Interconnect Div. and shall not be reproduced or copied or used in whole or in part as the basis for the manufacture or sale of (1 item) without written permission.			USE ASSY PROCEDURE NO AP...10-012..	TITLE OSSM STRAIGHT CABLE JACK SOLDER ATTACHMENT	
			SIZE B SCALE 8:1	CODE IDENT NO 26805 1032-5002-00	REV 04 ₁ SHEET 1 OF 1

CUSTOMER

Tyco PART # 1045497
 SHEET 1 of 1 REV 0